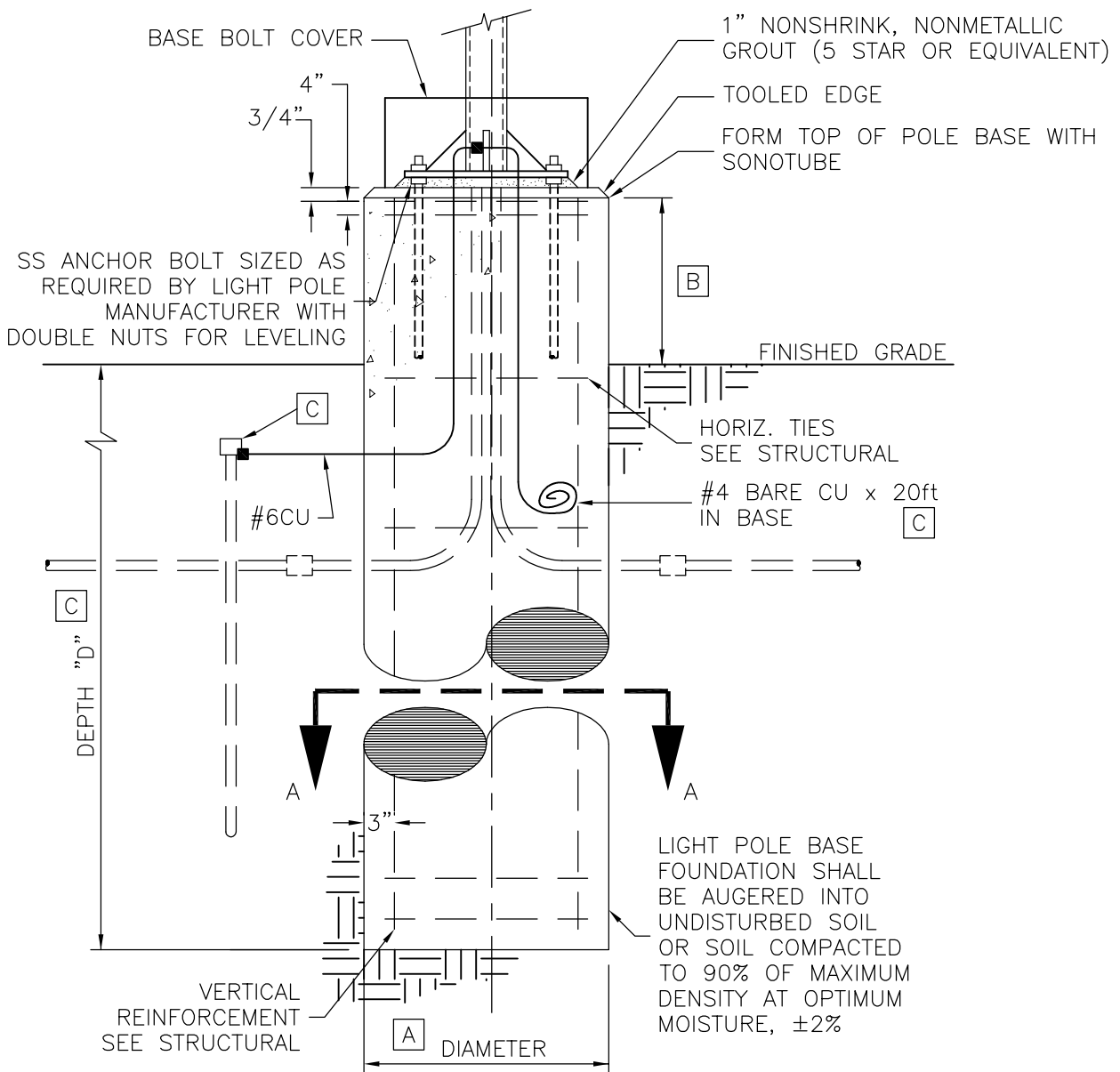


KEYED NOTES

- A. SEE STRUCTURAL PLANS FOR POLE BASE DIMENSION & REINFORCEMENT.
- B. 6" ABOVE GRADE, 2'-6" ABOVE GRADE (PARKING OR WHERE SUBJECT TO PHYSICAL DAMAGE).
- C. 5/8"x8'-0" GROUND ROD (OR #4 BARE CU X 20' UFER COILED IN BASE) CONNECT TO POLE. CONNECTION TO REINFORCING BAR IS OPTIONAL EXCEPT WHEN USED AS UFER (20FT x #4 REBAR MINIMUM).

NOTE: ORIENT BOLT PATTERN AS SHOWN ON PLANS. CONFIRM BOLT PATTERN WITH POLE MANUFACTURER PRIOR TO INSTALLATION.



L2 POLE FOUNDATION

NO SCALE